

240V Range
POWERED SHEAR WRENCH
CATALOGUE.

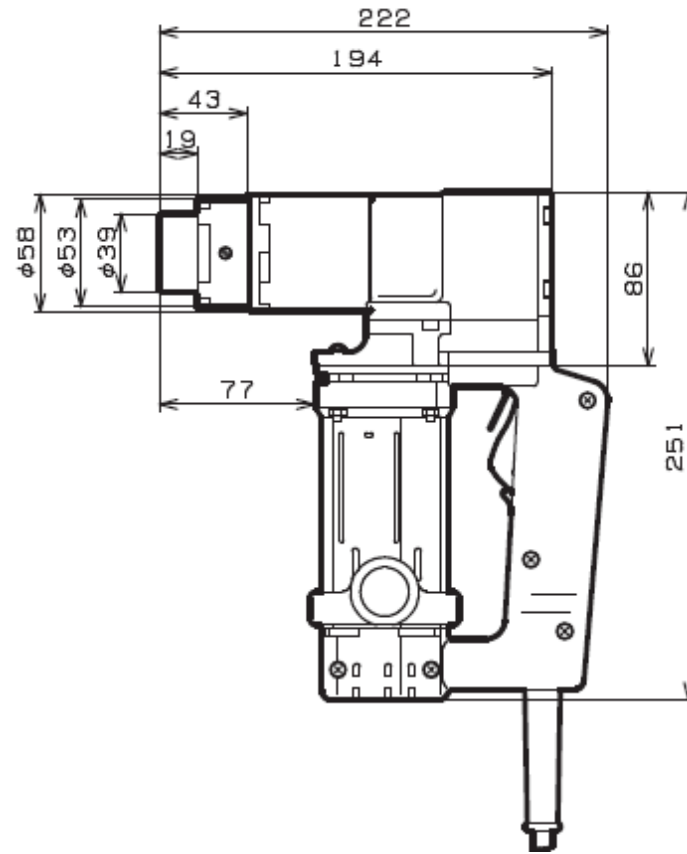
For TCB Assemblies

ALLFASTENERS
.COM.AU



Models	Tool Shapes	Power Types	Socket Type	Adaptable TC Bolts by diameters							
				M12	M16	M20	M22	M24	M27	M30	M36
GM162EZ	Pistol	230V	M	•	•						
GM222EZ	Pistol	230V	M		•	•	•				
GH242EZ	Pistol	230V	H		•	•	•	•			
GV302EZ	Pistol	230V	V					•	•	•	
GX362ZA	Pistol	230V	X								•
GMC222EZ	Angle	230V	M		•	•	•				
GHC242EZ	Angle	230V	H		•	•	•	•			
GVC302EZ	Angle	230V	V					•	•	•	
GSXC362E-CE	Angle	230V	X								•
GSUL302E-CE	Offset	230V	U					•	•	•	

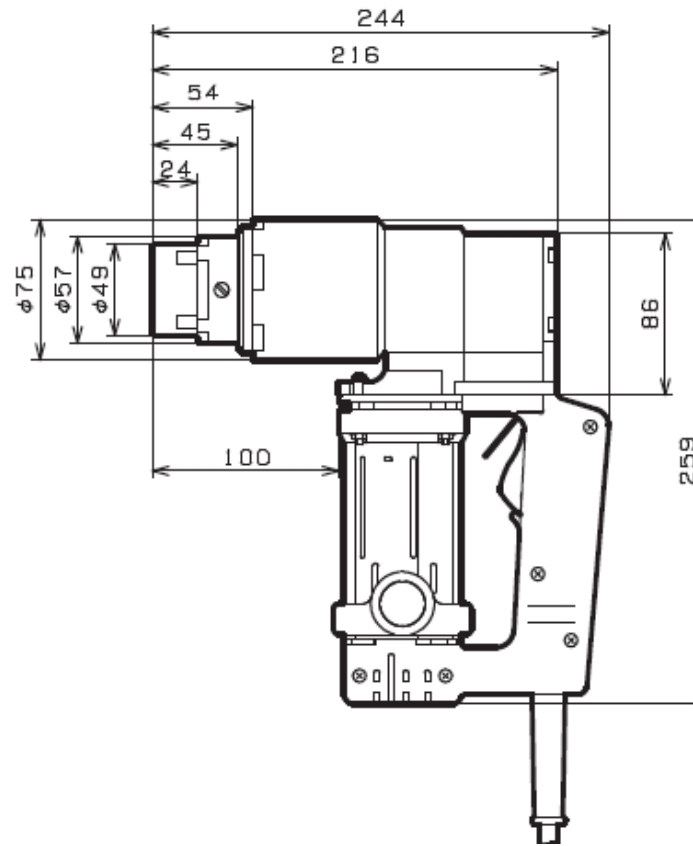
GM162EZ – Electric Shear Wrench



Model	Max Torque (N·m)	Adaptable TC bolts by diameters	Free Speed (r.p.m.)	Voltage (V)	Weight (kg)	Protection Class
GM162EZ	294	M12, M16	29	230	3.9 ✖	Double Insulated

✖ without socket, without electric cable

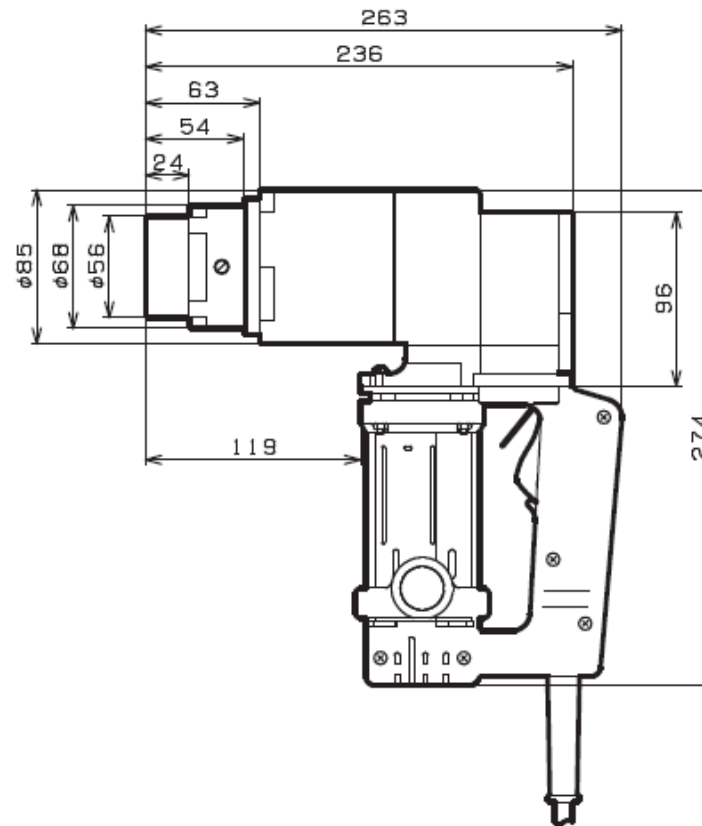
GM222EZ – Electric Shear Wrench



Model	Max Torque (N·m)	Adaptable TC bolts by diameters	Free Speed (r.p.m.)	Voltage (V)	Weight (kg)	Protection Class
GM222EZ	735	M16, M20, M22	14	230	4.8 ✖	Double Insulated

✖ without socket, without electric cable

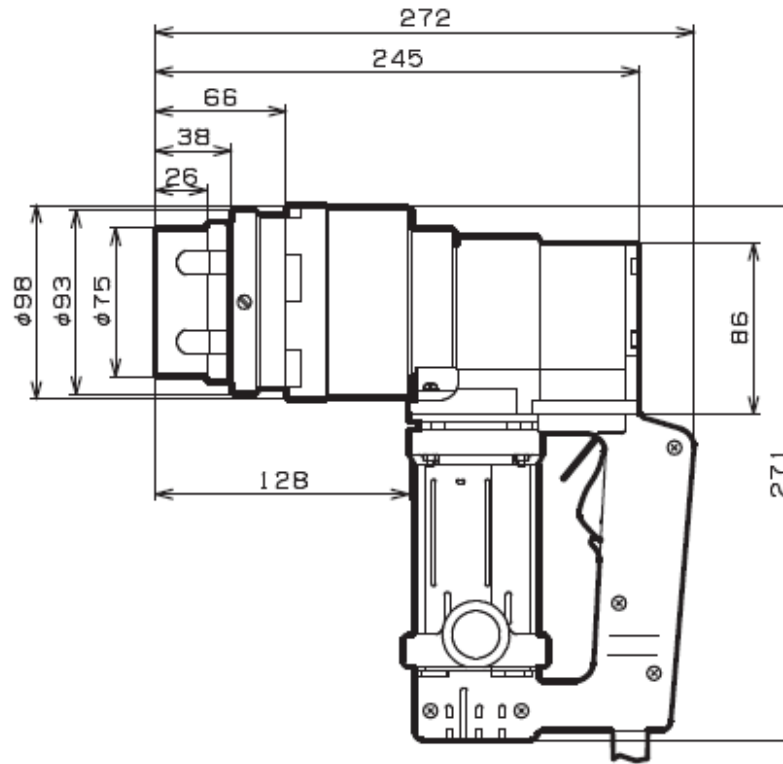
GH242EZ – Electric Shear Wrench



Model	Max Torque (N·m)	Adaptable TC bolts by diameters	Free Speed (r.p.m.)	Voltage (V)	Weight (kg)	Protection Class
GH242EZ	950	M16, M20, M22, M24	10	230	6.2 ✖	Double Insulated

✖ without socket, without electric cable

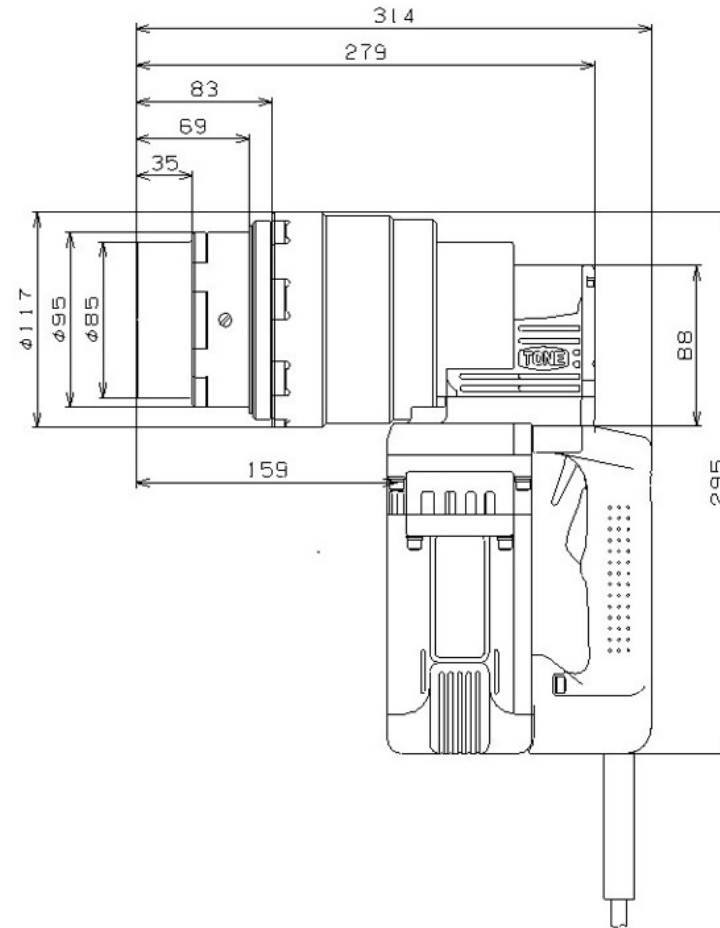
GV302EZ – Electric Shear Wrench



Model	Max Torque (N·m)	Adaptable TC bolts by diameters	Free Speed (r.p.m.)	Voltage (V)	Weight (kg)	Protection Class
GV302EZ	1900	M24, M27, M30	5	230	6.7 ✖	Double Insulated

✖ without socket, without electric cable

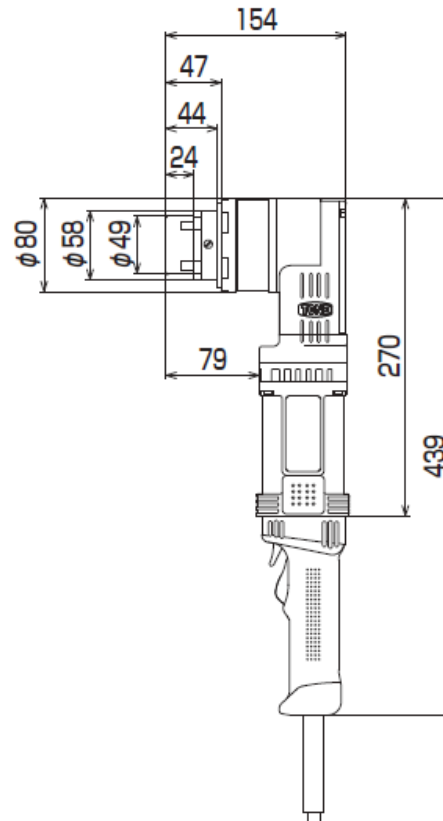
GX362ZA – Electric Shear Wrench



Model	Max Torque (N·m)	Adaptable TC bolts by diameters	Free Speed (r.p.m.)	Voltage (V)	Weight (kg)	Protection Class
GX362ZA	4000	M36	3.5	230	10.8 ✖	Double Insulated

✖ without socket, without electric cable

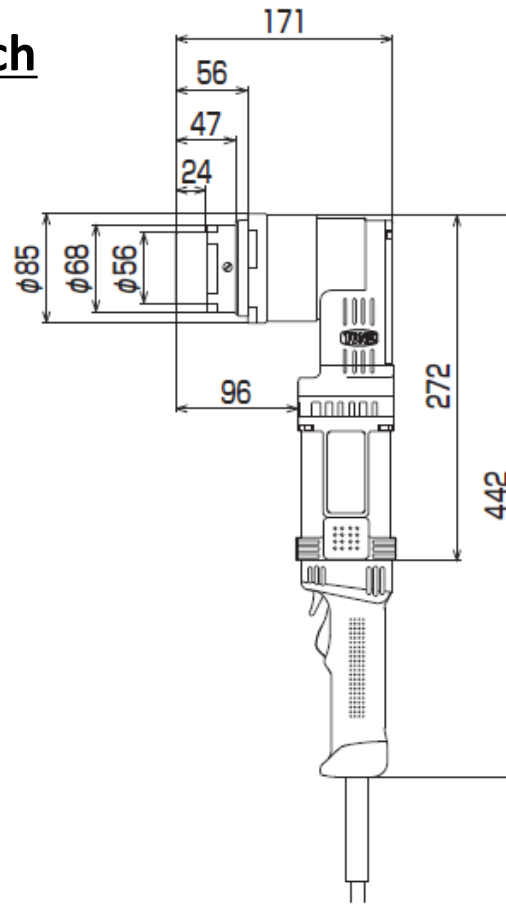
GMC222EZ – Electric Shear Wrench



Model	Max Torque (N·m)	Adaptable TC bolts by diameters	Free Speed (r.p.m.)	Voltage (V)	Weight (kg)	Protection Class
GMC222EZ	800	M16, M20, M22	17	230	5.3 ✘	Double Insulated

✘ without socket, without electric cable

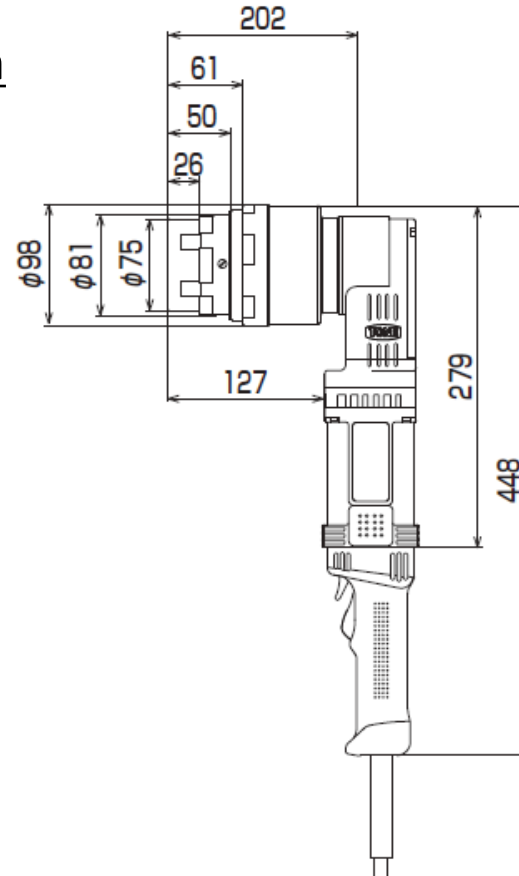
GHC242EZ – Electric Shear Wrench



Model	Max Torque (N·m)	Adaptable TC bolts by diameters	Free Speed (r.p.m.)	Voltage (V)	Weight (kg)	Protection Class
GHC242EZ	1250	M16, M20, M22, M24	11	230	6.0 ✖	Double Insulated

✖ without socket, without electric cable

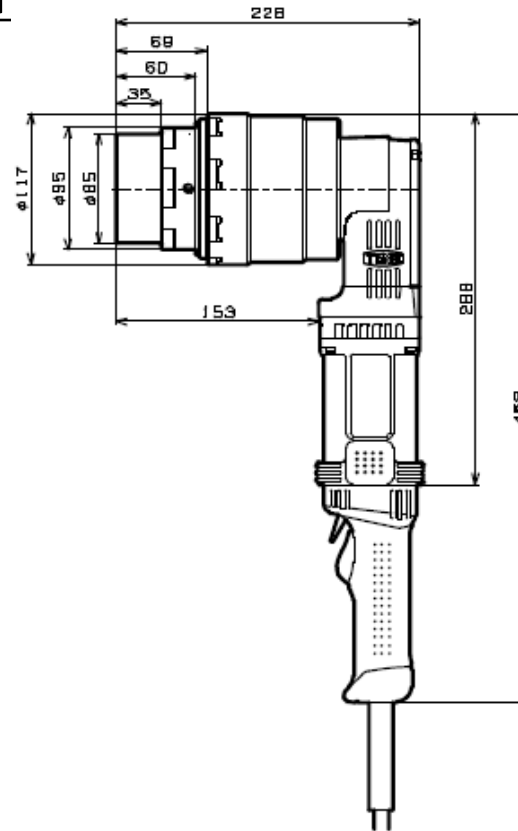
GVC302EZ – Electric Shear Wrench



Model	Max Torque (N·m)	Adaptable TC bolts by diameters	Free Speed (r.p.m.)	Voltage (V)	Weight (kg)	Protection Class
GVC302EZ	2150	M24, M27, M30	6	230	7.4 ✖	Double Insulated

✖ without socket, without electric cable

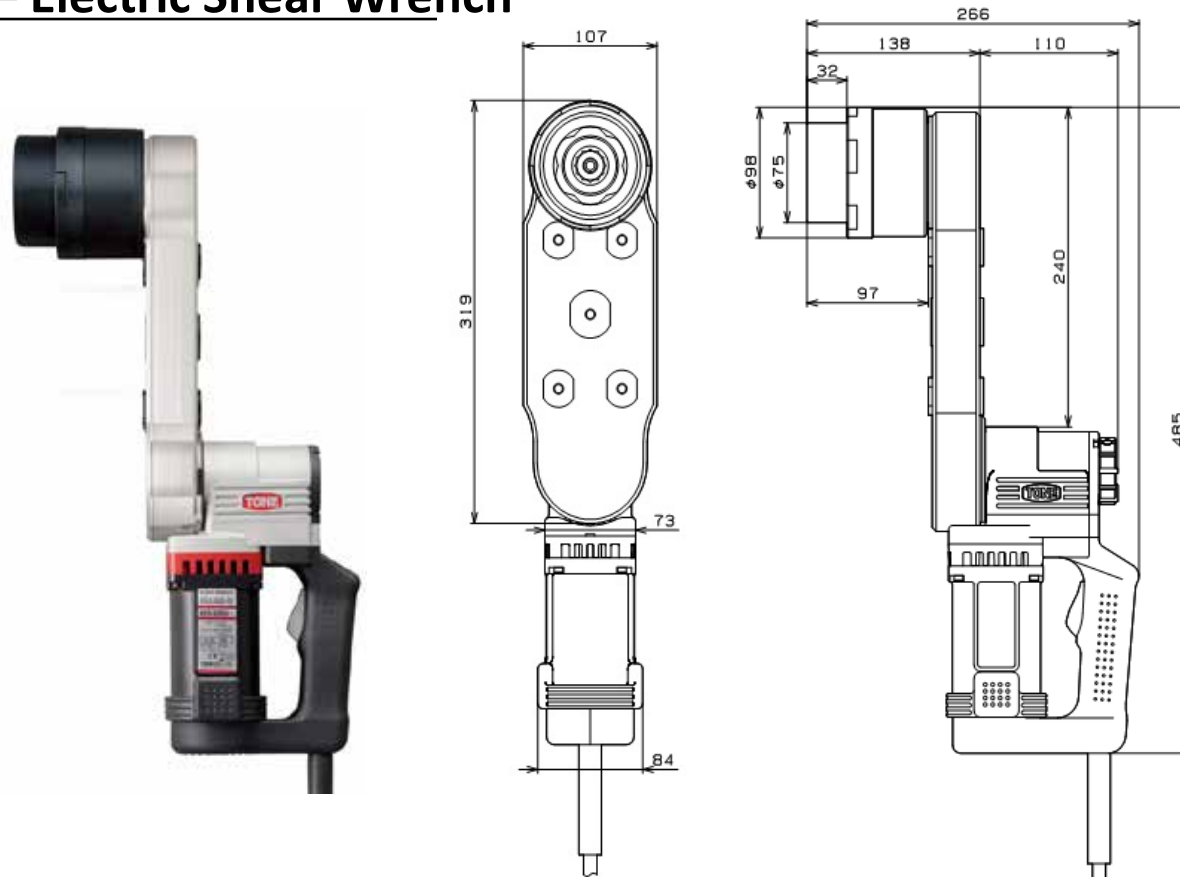
GSXC362E-CE – Electric Shear Wrench



Model	Max Torque (N·m)	Adaptable TC bolts by diameters	Free Speed (r.p.m.)	Voltage (V)	Weight (kg)	Protection Class
GSXC362E-CE	4000	M36	3	230	10.7 ✘	Double Insulated

✘ without socket, without electric cable

GUSL302E-CE – Electric Shear Wrench



Model	Max Torque (N·m)	Adaptable TC bolts by diameters	Free Speed (r.p.m.)	Voltage (V)	Weight (kg)	Protection Class
GUSL302E-CE	2150	M24, M27, M30	8	230	10.5 ✘	Double Insulated

✘ without socket, without electric cable