

M6 FRAME SCREWS

RUSPERT COATING

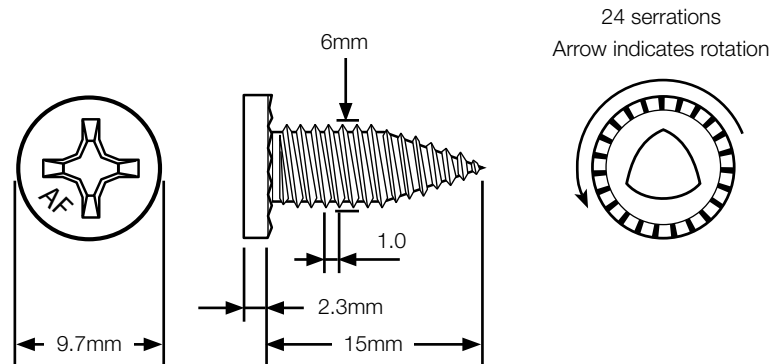
M6-25 x 15mm PC Frame Screws

Frame screws are used for all steel frame connections, the taptite triobular thread reduces friction in its thread forming action. Under head serrations provides resistance to vibrational loosening and has a superior holding strength.

Ruspert coating provides excellent protection in steel framing and reduces torque resistance during installation.

Use for all steel trusses and steel wall frames (0.75 – 1.15mm thick) with pre-punched holes. Ideal for use in structures, modular buildings or prefab unit manufactures where the frames will be transported.

- Pancake head (Philip #3 drive)
- Under head locking serrations
- Self threading taptite thread
- Ca Point



PROPERTIES

- Mechanical properties to the AS 3566:2002 standard.
- Ruspert coating for screws Class 3 following ISO 9223-2012 standard.
- Corrosion protection in accordance with ASTM B117. Salt spray test 1000hrs.

INSTALLATION

Recommended Punched Hole Sizes

- 2 x 0.75mm steel section with punched hole \varnothing 5.0 - 5.2mm
- 2 x 1.00mm steel section with punched hole \varnothing 5.2 - 5.3mm
- 2 x 1.15mm steel section with punched hole \varnothing 5.3 - 5.4mm

Customer Service 1800 255 349 | techadvice@allfasteners.com.au | www.allfasteners.com.au

Allfasteners® 78-84 Logistics Street Keilor Park VIC 3042 Australia +61 3 9330 0555 Allfasteners Pty Ltd. ACN 113 948 100 ABN 86 766 075 300 Copyright © 2019. The contents of this document remains the property of Allfasteners® and may not be reproduced without prior written permission.