



HEX WASHER SELF DRILLING SCREWS

BIMETAL 300 SERIES STAINLESS STEEL

PRODUCT CODE: 3DHUBS

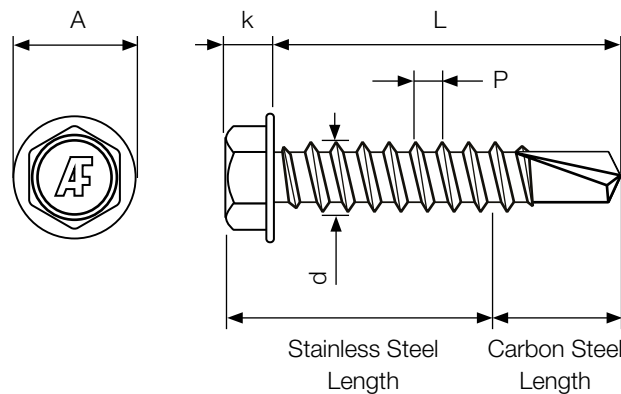
Our bimetal screws feature fused hardened carbon drill tip with a stainless steel grade body and head.

This provides the ultimate corrosion resistance in a self drilling screw whilst still maintaining drilling performance. Please be aware our bimetal screws have a class 3 or zinc plated coating as part of the manufacturing process which changes the surface appearance.

- Gauge: 10g-16 and 12g-14 and 14g-14
- Head Type: hexagonal head
- Point Type: self drill point no.3
- Material Type: carbon steel tip / 300 series stainless steel
- Driver Type: outer hex



Gauge		Pitch	Head			Lengths	Drill
d	[mm]	P	Driver	A [mm]	k [mm]	L [mm]	Capacity
10g	4.8	16	5/16	10.0	4.50	16	1.0 - 4.0
12g	5.5	14	5/16	10.6	5.30	25	1.5 - 5.0
14g	6.3	12	3/8	12.6	6.20	32	2.0 - 6.0



Allfasteners® Head Office

78-84 Logistics Street Keilor Park VIC 3042 Australia +61 3 9330 0555

Allfasteners Pty Ltd. ACN 113 948 100 ABN 86 766 075 300

Whilst every care was taken in preparation of this guide, Allfasteners® accepts no responsibility for the accuracy of the information supplied. Copyright © 2018. The contents of this document remains the property of Allfasteners® and may not be reproduced without prior written permission.