

HAMMER-IN NYLON ANCHORS

PRE-ASSEMBLED NYLON PLUG AND NAIL

Pre-assembled nail and nylon plug with collar for fixing metal plates. Hammer-in installation action for quick and easy installation into concrete and solid brick. The Phillips pozi drive head makes for simple adjustment or removal.

- Available in round or mushroom head nylon plug
- Zinc plated carbon steel nail



1SMNKC – round



1SMNK – mushroom



Better Holding Nails feature an increased head diameter to ensuring a much better holding power.

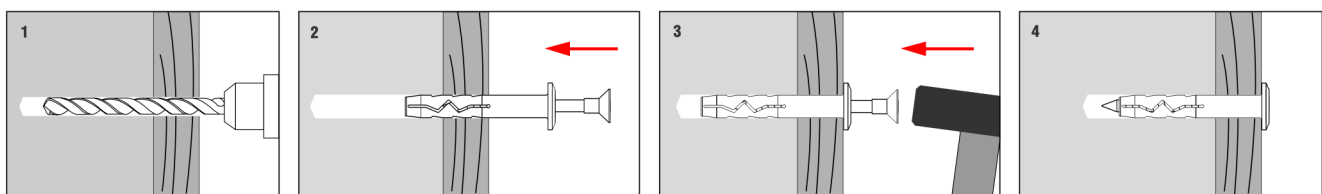


Secure Fixing Nails have been strengthened under head.



Supplied in a bucket.

INSTALLATION

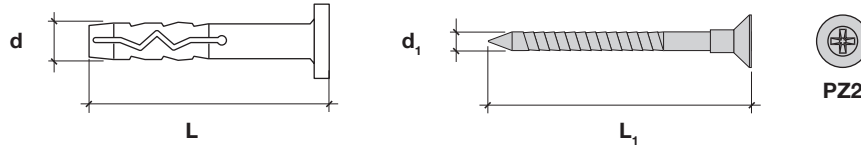




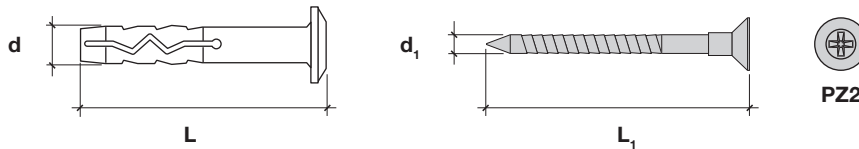
HAMMER-IN NYLON ANCHORS

PRE-ASSEMBLED NYLON PLUG AND NAIL

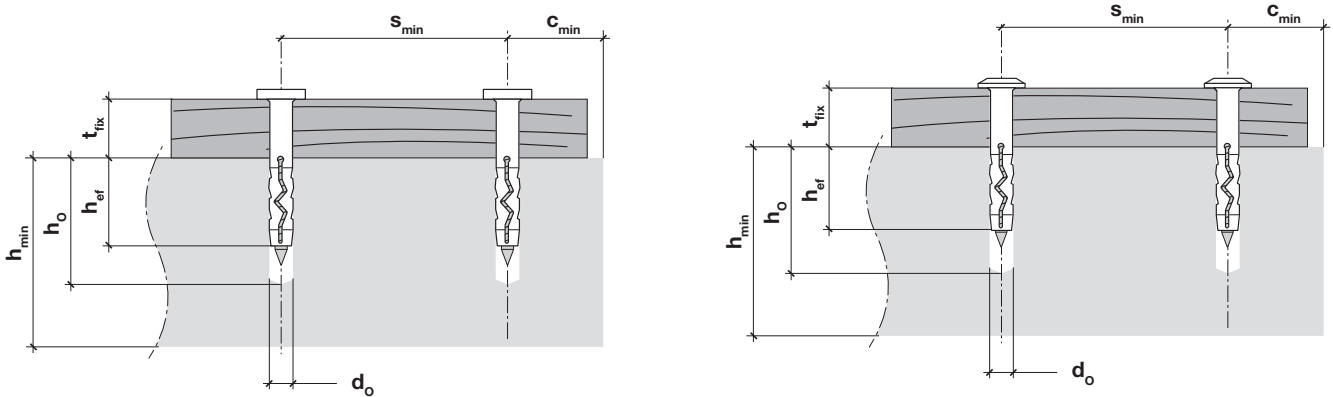
INSTALLATION PARAMETERS



PART	Plug	d x L [mm]	d ₁ x L ₁ [mm]	Max Fixture, t _{fix} [mm]	Driver	PCS
1SMNKC05035	Ø 5	5 x 35	3.5 x 40	5	PZ2	150



PART	Plug	d x L [mm]	d ₁ x L ₁ [mm]	Max Fixture, t _{fix} [mm]	Driver	PCS
1SMNK06040	Ø 6	6 x 40	3.9 x 45	10	PZ2	150
1SMNK06060		6 x 60	3.9 x 65	30		
1SMNK06080		6 x 80	3.9 x 85	50		



PART	Plug Dia, d [mm]	Hole Dia, d _o [mm]	Effective Depth, h _{ef} [mm]	Drill Depth, h _o [mm]	Min Base Thickness, h _{min} [mm]	Min Edge Distance, C _{min} [mm]	Min Anchor Spacing, S _{min} [mm]
1SMNKC	Ø 5	5	30	40	60	30	60
1SMNK	Ø 6	6	30	40	60	30	60