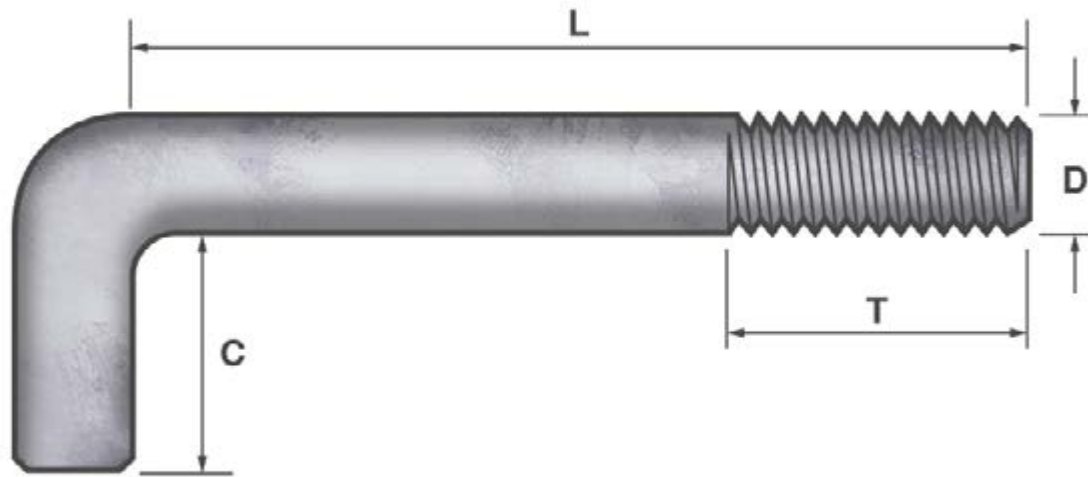


# L-BOLTS ANCHOR BOLT



**Rod dimension:** (D) \_\_\_\_\_ x (L) \_\_\_\_\_ x (T) \_\_\_\_\_ x (C) \_\_\_\_\_

**Material Grade:**      4.6 Mild-Steel      8.8 High-Tensile Steel      Stainless Steel

**Finish:**                      Galvanised                      Plain                      Other

CUSTOMER:

PROJECT:

DRAWING REF NO.:

DATE:	SCALE: Not to scale.
-------	-------------------------

OUR REF NO.:

COMPONENTS LIST:

ITEM:	GRADE:	QTY:

NOTES:

MANUFACTURER: