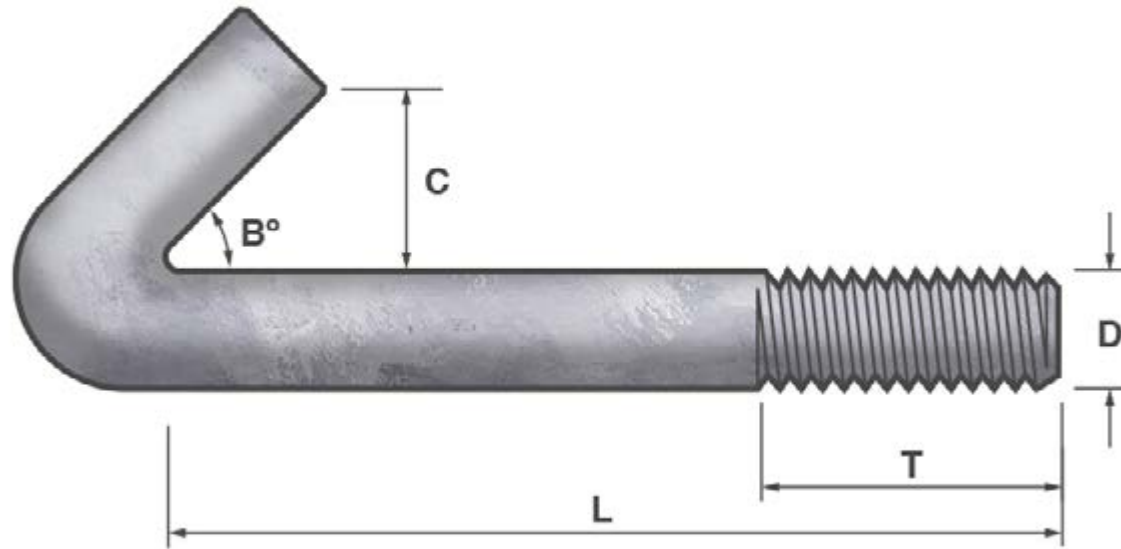


CUSTOM BENT ANCHOR ROD



Rod dimension: (D) _____ x (L) _____ x (T) _____ x (C) _____ x (B°) _____

Can fully threaded rod be specified? Yes No

Material Grade: 4.6 Mild-Steel 8.8 High-Tensile Steel Stainless Steel

Finish: Galvanised Plain Other

CUSTOMER:

PROJECT:

DRAWING REF NO.:

DATE: SCALE:
Not to scale.

OUR REF NO.:

COMPONENTS LIST:

ITEM:	GRADE:	QTY:

NOTES:

MANUFACTURER: