

## Product Technical Data Sheet

### M6-11 x 25 Hex Head RoofZips

#### Application:

Buildex® M6-11 x 25 RoofZips® are designed for valley fixing roof sheets and side cladding to top hat and timber battens. For fixing Top Hat thin metal battens, pine and hardwood timber battens steel and timber trusses.

As companion screws in steel roof and floor truss assembly.

The M6 -11 Hex Head RoofZips® can also be used into 1.5 mm purlin

The M6 -11 x 25 Mm Hex Head RoofZips is available with or without a sealing washer in Climaseal 4®

Features	Benefits
Hex Drive	For positive drive under high installation torque.
Zips Point	For easy installation into top hat batten and timber while ensuring maximum pullout strength and high strip torque.
Buttress Thread	For high pullout values.
Finish	Corrosion performance of Climaseal 4 and Climaseal 5
Colormatch	The RoofZips can be painted to Match Colorbond sheeting colours.

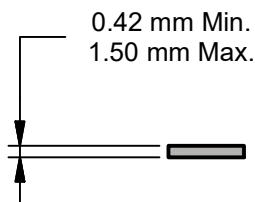
#### Installation Instructions:

1. Use a 5/16" Hex Socket.
2. Use a mains powered or cordless screw driver with a drive speed of 3,000 RPM maximum.
3. Fit the driver bit into the screw and place at the fastening position.
4. Apply consistently firm pressure (end load) to the screw driver until the screw has fastened.

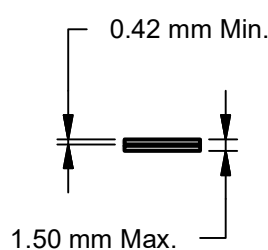
#### Drilling and Installing Capacity:

Timber F7 Pine to F17 Hardwood - minimum embedment 23.0 mm

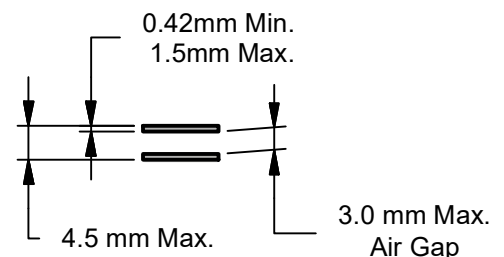
Single Thickness of Metal



Multiple Pieces of Metal



Multiple Pieces of Metal with Air Gap



#### Mechanical Properties:

Single Shear Strength (Newton) 8,500 | Axial Tensile (Newton) 15,400 | Torsion Strength 14.5 Newton-metre

#### Pullout Values (Newton):

0.42mm G550 Batten: 1,050 | 0.48mm G550 Batten: 1,200 | 0.55mm G550 Batten: 1,520 | 0.75mm G550 Batten: 2480 :  
1.0mm G550 Batten:tba | 1.2 mm Steel Stud G250:3,280 | 1.5mm G450 Purlin: 5,240

F7 (Pine) Timber, 23 mm embedment: 2,864 | F17 (Hardwood) Timber 23 mm embedment: 4,380

All values are averages obtained under laboratory conditions and appropriate safety factors should be applied for design purposes. These figures are applicable to Buildex® head marked product only.

**Material:** Carbon Steel SAE 1022 | **Heat Treatment:** To AS 3566.1 | **Finish:** Climaseal 4® or Climaseal 5®

#### Corrosion Performance:

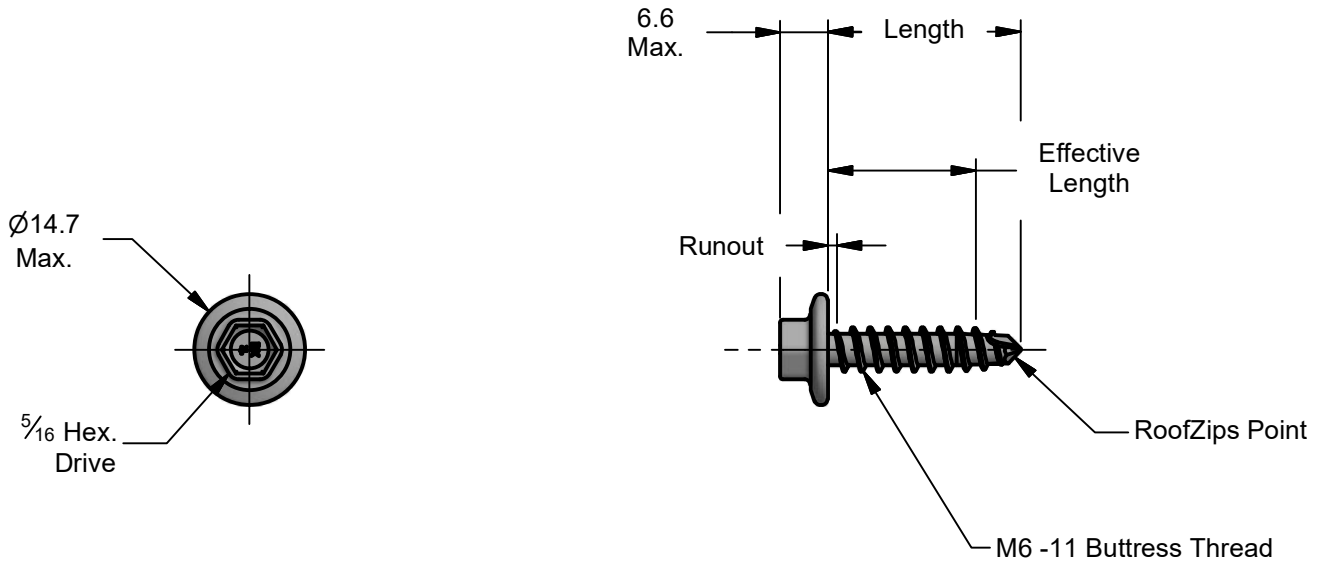
Climaseal 5 Fasteners are suitable for use in Category 5,4 and 3 corrosive environments as described in ISO 9223-2012 and AS4312-2008

Climaseal 4 Fasteners are suitable for use in Category 4 and 3 corrosive environments as described in ISO 9223-2012 and AS4312-2008

## Product Technical Data Sheet

### M6-11 x 25 Hex Head RoofZips

M6 - 11 Hex Head RoofZips			
Part Number	Description	Pack Qty	Pallet Qty
6-031-3308-3C4	M6-11 x 25 Hex Head RoofZips Climaseal 4	500 / 1500	108,000



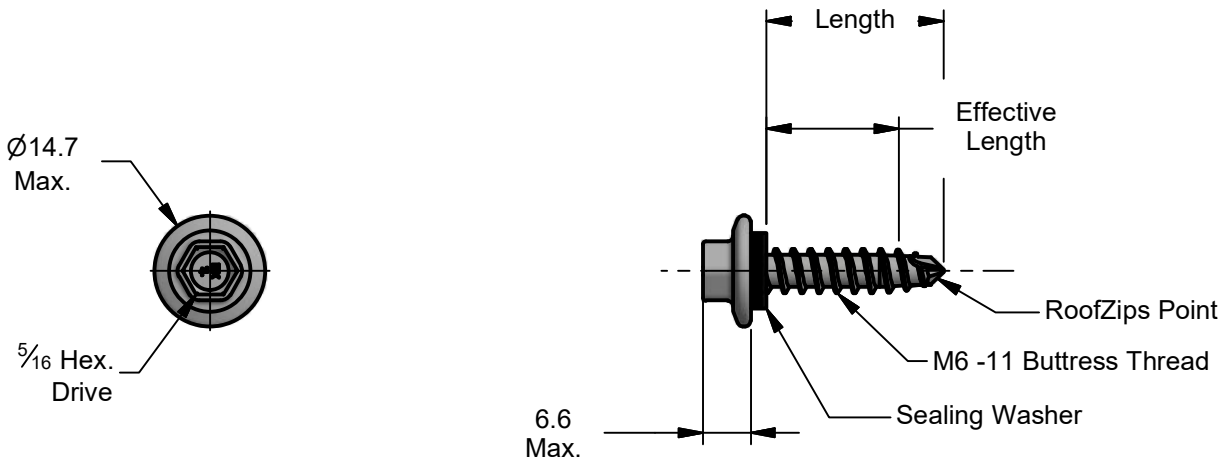
Part Number	Description	Length	Runout	Effective Length
6-031-3308-3C4	M6-11 x 25 Hex Head RoofZips Climaseal 4	23.5 / 25.0	2.0 Max.	15.0 Min.

All dimensions nominal unless otherwise stated. Normal manufacturing tolerances apply. All dimensions in millimeters. Third Angle Projection. Scale: Full size

## Product Technical Data Sheet

### M6-11 x 25 Hex Head RoofZips

M6 - 11 Hex Head RoofZips with Seal			
Part Number	Description	Pack Qty	Pallet Qty
6-030-3308-8C4	M6-11 x 25 Hex Head Roofzips with Seal Climaseal 4	500 / 1500	108,000
6-030-5308-8C5	M6-11 x 25 Hex Head Roofzips with Seal Climaseal 5	500 / 1500	108,000



**Note**

Lengths from underside of sealing washer and includes compression.

Part Number	Description	Length	Effective Length
6-030-3308-8C4	M6-11 x 25 Hex Head Roofzips with Seal Climaseal 4	23.0 / 24.5	14.5 Min.
6-030-5308-8C5	M6-11 x 25 Hex Head Roofzips with Seal Climaseal 5	23.0 / 24.5	14.5 Min.

All dimensions nominal unless otherwise stated. Normal manufacturing tolerances apply. All dimensions in millimeters. Third Angle Projection. Scale: Full size

Buildex® Head Office  
600 South Road  
Moorabbin Victoria 3189  
Australia

1300 368 101  
CustomerService-MBN@buildex.com.au

Technical Help Desk  
Technicalhelpdesk@buildex.com.au