

1800 255 349 | techadvice@allfasteners.com.au

Wafer SD Screw Bimetal 316 Stainless

Bimetal screw wafer head screws feature a heat treated hardened carbon drill tip with a **300 series stainless steel body and head**. This provides the ultimate corrosion resistance in a self drilling screw.

Our wafer bimetal screws have a single zinc plated surface coating therefore will not appear to have a typical stainless steel look. This is simply part of our manufacturing process ensuring a high level of corrosion protection. Zinc coating provides an aesthetic look whilst ensuring drilling performance is maintained.



INSTALLATION

- **Drill Capacity:** Steel 1.2-4.0mm
- **Driver Type:** P2 Philips Drive
- **Installation Speed:** 2400 RPM Max Drill Speed

PHYSICAL CHARACTERISTICS

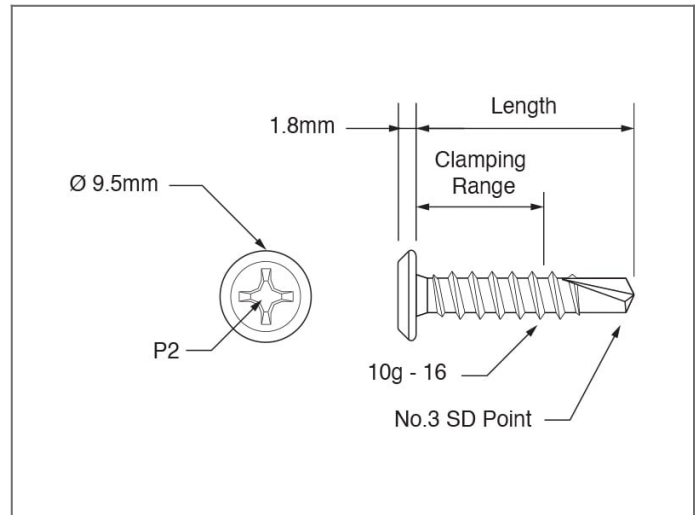
- **Head Type:** Wafer Head
- **Point Type:** No.3 Self-drilling
- **Material:** Bimetal (stainless steel 316 grade, heat treated alloy steel tip)
- **Finish:** Electroplated Zinc
- **Head Dia:** 9.5mm
- **Head Height:** 1.8mm

CORROSION RESISTANCE

Austenitic stainless steel 300 grade with Zinc Plated coating. 300 grade stainless steel provides adequate corrosive resistance, whilst the zinc plated coating ensures an aesthetic consistent surface appearance during storage, transportation and installation.

More Information

Delivery	SHIPS IN 1 - 2 DAYS
Material Grade	Bimetal Stainless Steel
Head Type	Wafer
Driver Type	Philips Bits
Diameter / Gauge	10g
Point Type	Drill Point No.3
Thread Type	Coarse
Application	Steel-to-Steel Self Drilling



Technical Information

SKU	Gauge x Length	Material	Driver Bit	Thread	Gauge x Length
1134.0100016	10-16 x 16mm	Bimetal 316	P2	Full	10-16 x 16mm
1134.0100022	10-16 x 22mm	Bimetal 316	P2	Full	10-16 x 22mm
1134.0100030	10-16 x 30mm	Bimetal 316	P2	Full	10-16 x 30mm

Documents

1800 255 349 | techadvice@allfasteners.com.au

Self Drilling Wafer Screws Bimetal TDS



For updates & pricing visit the website.
sales@allfasteners.com.au

