

1800 255 349 | techadvice@allfasteners.com.au

Flower Head SD Fibre Cement Sheet Screws

Eliminate the need to pre-drill and countersink cement sheeting with one screw. Flower head screws are designed to self embed in 9mm fibre cement sheeting securely without tearing up the surface.

Featuring drill point (tek) to fix sheets to common steel battens and top hat purlins up to 1.9mm. Also a 30mm screw length is recommend with timber battens application.



INSTALLATION

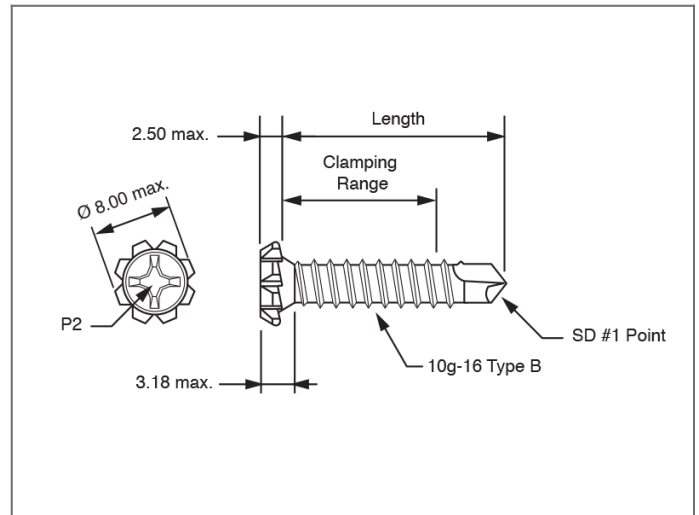
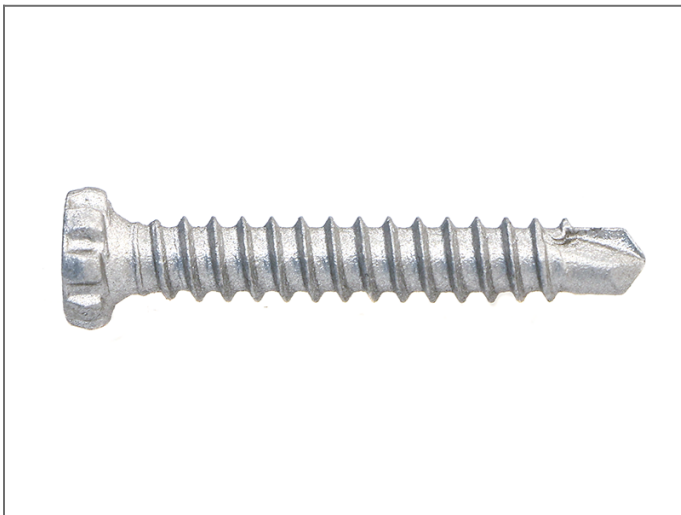
- **Drill Capacity:** 0.55-1.9mm of Steel
- **Driver Type:** Philips P2
- **Installation Speed:** 2300-2500 RPM Max Drill Speed

PHYSICAL CHARACTERISTICS

- **Head Type:** Self Embedding Flower
- **Point Type:** Self Drilling Point
- **Material:** Carbon Steel
- **Finish:** Class 3 Mechanical Galvanised
- **Head Dia:** 7.9mm
- **Head Height:** 3.5mm

More Information

Delivery	SHIPS IN 1 - 2 DAYS
Coating & Plating	Class 3 (Mech. Gal)
Material Grade	Carbon Steel
Head Type	Flower
Driver Type	Philips Bits
Diameter / Gauge	10g
Point Type	Drill Point No.3
Thread Type	Coarse



Technical Information

SKU	Item	Coating	Drive	Drill Cap.	Item
1107.0100020	10-16 x 20mm	Class 3	Ph2	0.55 - 1.90	10-16 x 20mm
1107.0100030	10-16 x 30mm	Class 3	Ph2	0.55 - 1.90	10-16 x 30mm

Documents



For updates & pricing visit the website.
sales@allfasteners.com.au

