

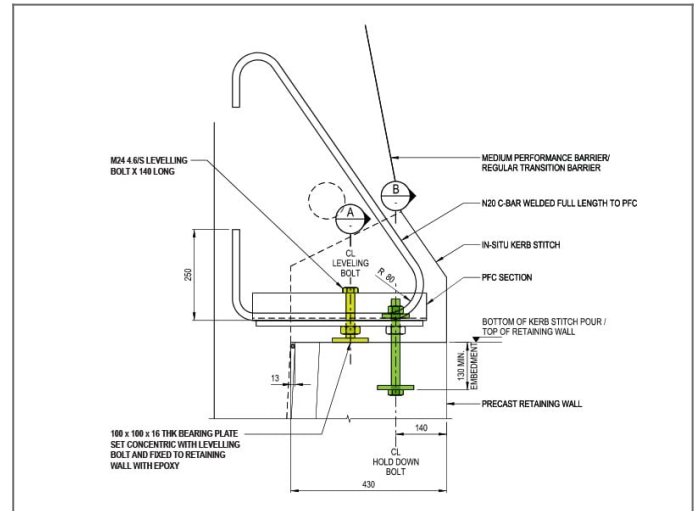
1800 255 349 | techadvice@allfasteners.com.au

M24 Precast Barrier HDB & Leveling Kit Gr4.6 HDG

Hold down bolt assembly kit designed for precast concrete barriers and specifically for the anchoring of precast bridge parapets. Consisting of an M24 x 300mm long anchor bolt and shorter leveling bolt positioning and securing precast barriers can be completed quickly and safely.

Concrete barriers can be used alongside roads, or center medium strips and along the edge of bridges.

All components are mild-steel 4.6 and provided hot dipped galvanized coating.

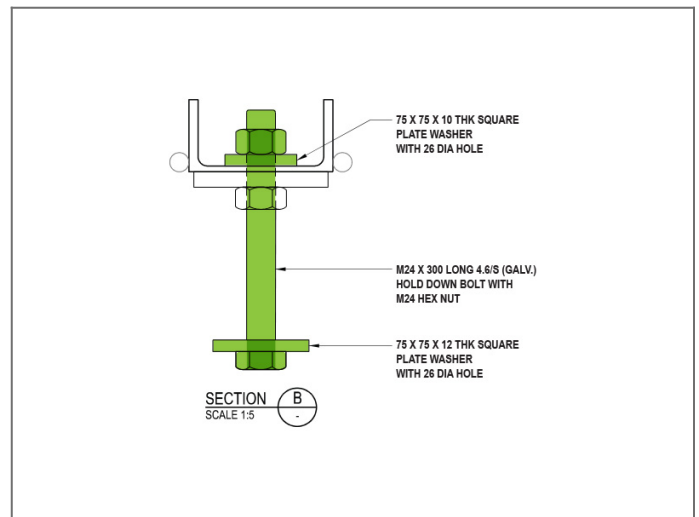
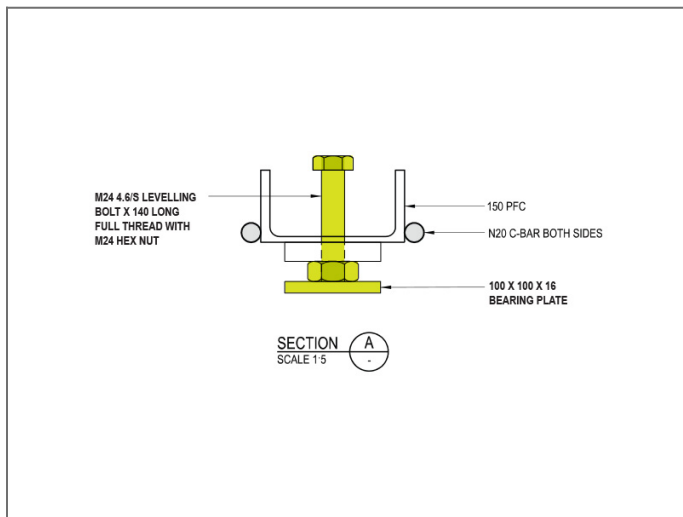


KIT COMPONENTS:

- **Hold down bolt:** M24 x 300mm Hex Bolt & Nut GR4.6 HDG (150mm thread portion)
- **Leveling bolt:** M24 x 140 Hex Head Set Screw & Nut GR4.6 HDG (full threaded)
- **Washer Plates:** M24 - 75 x 75mm x 12mm Square Washer HDG
- **Washer Plates:** M24 - 75 x 75mm x 10mm Square Washer HDG
- **Bearing Plate:** 100 x 100 x 16mm Plate HDG

More Information

Material Grade	4.6 Mild Steel
Coating & Plating	Hot Dipped Galvanised (HDG)
Head Type	Hexagonal
Diameter / Gauge	M24
Thread Type	Metric
Use for	Critical Anchoring, Outdoor Structure, Road & Pavement, Site Setup



Technical Information

SKU	Kit Size	Plate Size	Bolts	Nuts	Square Washers
1473.0240300	M24 Precast Barrier HDB Kit 4.6	16mm Bearing Plate	2	2	2

Documents



For updates & pricing visit the website.
sales@allfasteners.com.au

